

# Hallway

COM1 - in-ceiling installation  
 EAN 4007841 079468  
 Article number 079468



Max. 25 x 3 m

2000 W

2000 W Max. (LED-fähig)



IP20



2 - 2000 Lux



10 Sek - 60 Min



2 - 4 m

iQ

iQ-mode

Teach

Teach mode



Vernetzbar via Bluetooth

5 years

Herstellergarantie  
 steinel-  
 professional.de/  
 garantie

## Function description

The cleverer hallway sensor knows more. Perfect radial detection up to 25 m – ideal for long corridors and hallways. Reach can be adjusted in both directions. Contemporary Control PRO II design. Featuring Bluetooth technology. Interfaces for COM1, COM2, DALI-2 APC, DALI-2 IPD, KNX, IP and BT IPD (Slave).

## Technical specifications

Dimensions (L x W x H)	105 x 103 x 103 mm	Mounting height	2,00 – 4,00 m
With motion detector	Yes	Mounting height max.	4,00 m
Manufacturer's Warranty	5 years	Optimum mounting height	2,8 m
Settings via	Bluetooth	HF-system	5,8 GHz
With remote control	No	Detection	also through glass, wood and stud walls
Version	COM1 - in-ceiling installation	Detection angle	Aisle, 360 °
PU1, EAN	4007841079468	Angle of aperture	140 °
Type	Presence detector	Sneak-by guard	Yes
Application, place	Indoors	Capability of masking out individual segments	No
Application, room	Indoors, corridor / aisle	Electronic scalability	Yes
Colour	white	Mechanical scalability	No
Colour, RAL	9003	Reach, radial	25 x 3 m (75 m <sup>2</sup> )
Includes corner wall mount	No	Reach, tangential	25 x 3 m (75 m <sup>2</sup> )
Installation site	ceiling	Transmitter power	< 1 mW
Installation	In-ceiling installation, Ceiling	Functions	Group parameterisation, Semi-/fully automatic, Lighting scenario, Manual
IP-rating	IP20		
Ambient temperature	-20 – 50 °C		

# Hallway

COM1 - in-ceiling installation  
EAN 4007841 079468  
Article number 079468



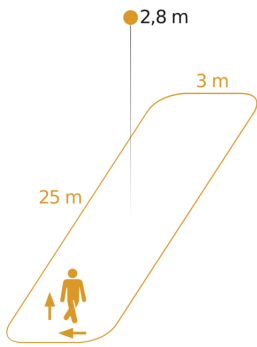
## Technical specifications

Material	Plastic	ON / ON-OFF, Neighbouring group function, Normal / test mode	
Mains power supply	220 – 240 V / 50 – 60 Hz	Twilight setting	2 – 2000 lx
Switching output 1, resistive	2000 W	Time setting	10 s – 60 Min.
Switching output 1, number of LEDs / fluorescent lamps	8 pcs.	Basic light level function	No
Switching output 1, floating	No	Main light adjustable	No
Switching output 1, low-voltage halogen lamps	2000 VA	Twilight setting TEACH	Yes
Power consumption	1 W	Constant-lighting control	No
Technology, sensors	High frequency, Light sensor	Interconnection	Yes
		Type of interconnection	Master/master, Master/slave
		Interconnection via	Bluetooth

# Hallway

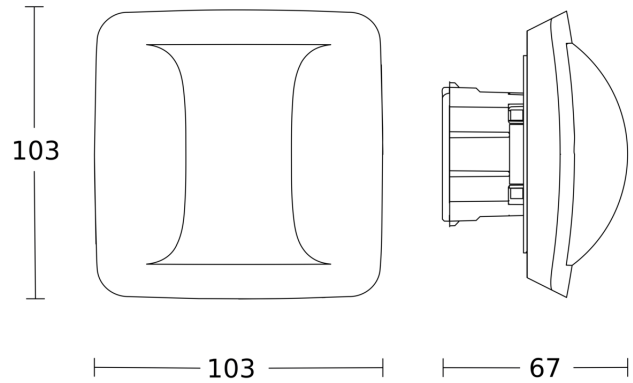
COM1 - in-ceiling installation  
EAN 4007841 079468  
Article number 079468

## Detection Zone

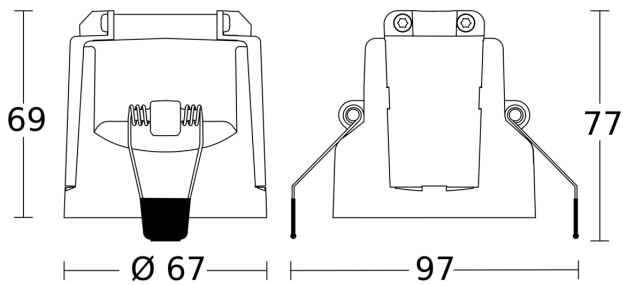


Possible mounting height: 2,00 m - 4,00 m  
Orange: radial and tangential

## Dimension Drawing 1



## Dimension Drawing 2



## Master circuit diagram

